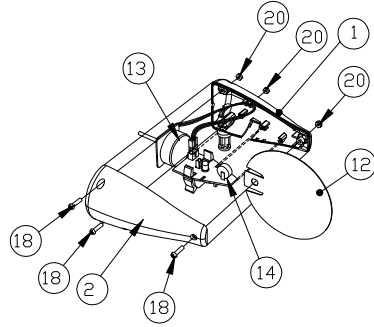


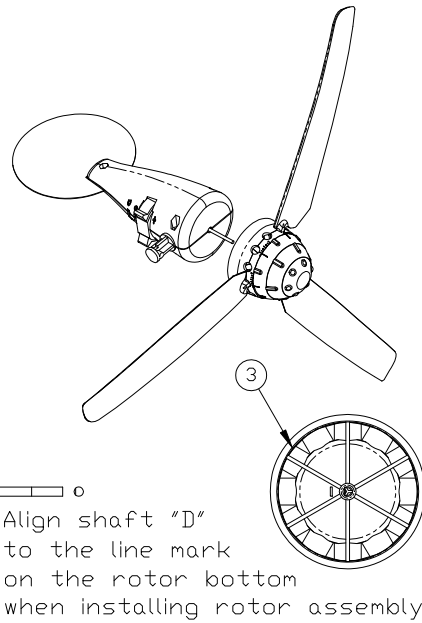
Assembly Drawing for WindPitch turbine

Assembly Drawing - Profiled Blade

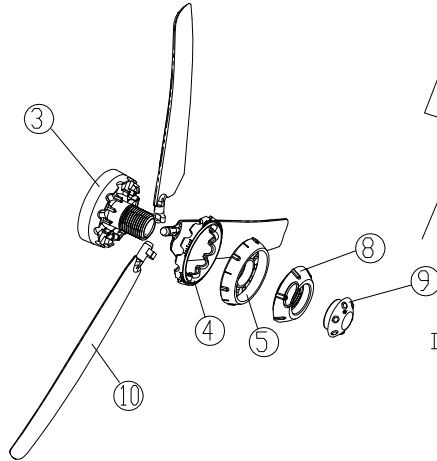
I. Main Body Assembly



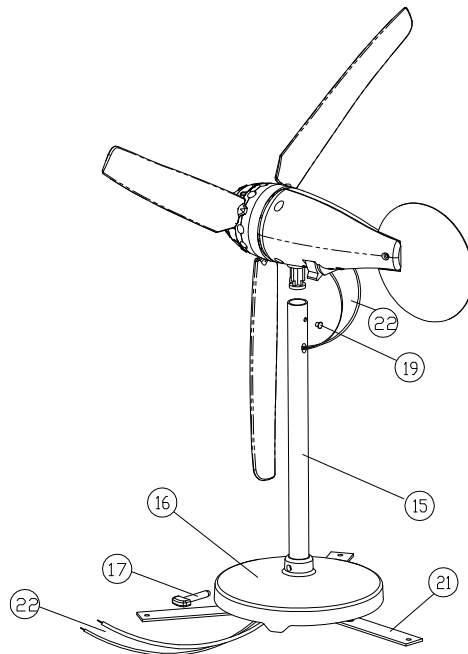
III. Rotor Assembly



II. Blade Assembly



IV. Post and Support Base Assembly

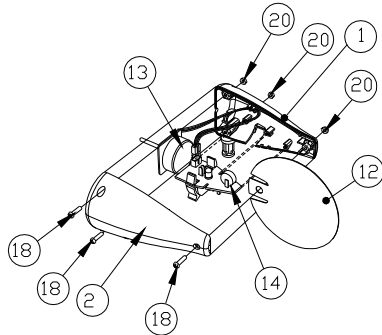


Part List

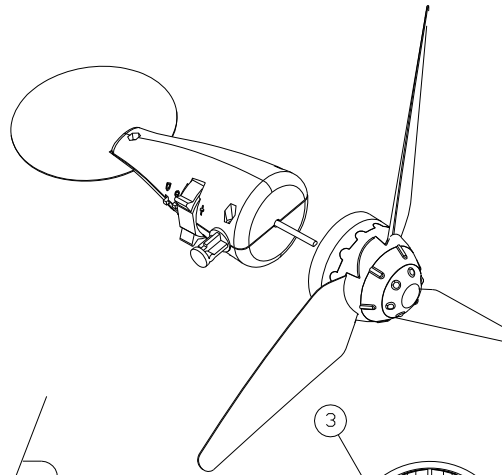
1. Left Housing
2. Right Housing
3. Rotor Base
4. Profile Blade Holder
5. Pitch Controller
6. Sheet Blade Lower Holder
7. Sheet Blade Upper Holder
8. Blade Locker
9. Safety Locker
10. Molded Profile Blade
11. Polypropylene Sheet Blade
12. Polypropylene Vane
13. Generator
14. Printed Circuit Board Assembly
15. Aluminium Post
16. Support Base Assembly
17. Post Secure Pin
18. Screw, M2.6 x 10 mm
19. Screw, M3 x 2 mm
20. Hex Nut, M2.6
21. Base Extender
22. Output Wire

Assembly Drawing - Sheet Blade

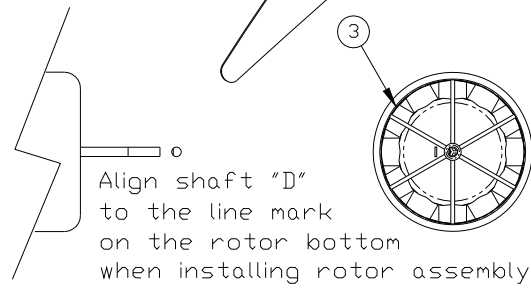
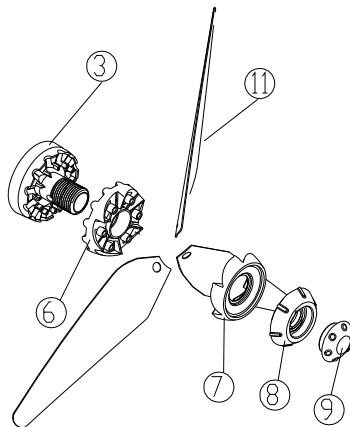
I. Main Body Assembly



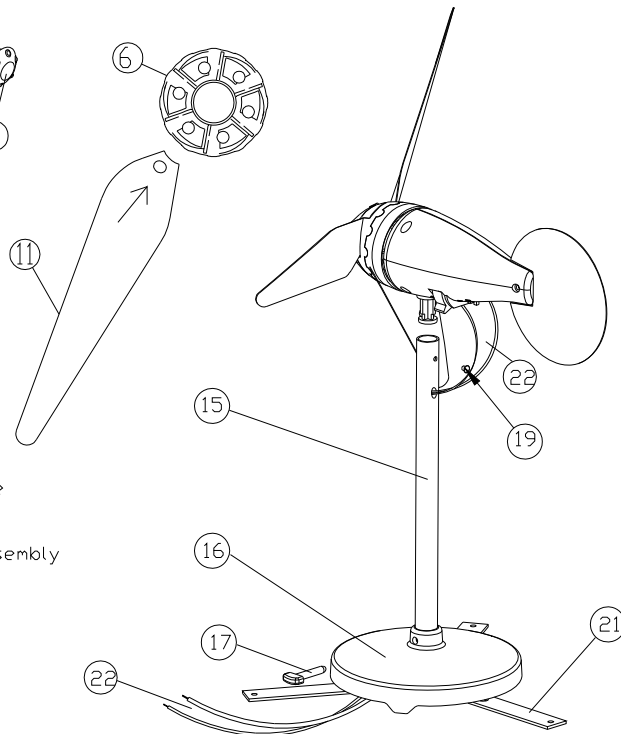
III. Rotor Assembly



II. Blade Assembly



IV. Post and Support Base Assembly



Part List

1. Left Housing
2. Right Housing
3. Rotor Base
4. Profile Blade Holder
5. Pitch Controller
6. Sheet Blade Lower Holder
7. Sheet Blade Upper Holder
8. Blade Locker
9. Safety Locker
10. Molded Profile Blade
11. Polypropylene Sheet Blade
12. Polypropylene Vane
13. Generator
14. Printed Circuit Board Assembly
15. Aluminium Post
16. Support Base Assembly
17. Post Secure Pin
18. Screw, M2.6 x 10 mm
19. Screw, M3 x 2 mm
20. Hex Nut, M2.6
21. Base Extender
22. Output Wire